

TY Series

High Pressure Centrifugal Blower

- 1.1 Model TY Series High Pressure Centrifugal Blower mainly is suitable for: With the daily processing amount of 120-300 tons wheat. While designing this series of blower, domestic and abroad advanced technology on hydro-machinery is adopted, and guided by experts on flour producing from colleges and universities and research institute, and got the final success. This series has the characteristics of wide work condition range in the high efficiency area, low noise, slinky sculpt, stable running, etc. Full pressure and wind volume both meet the requirement of horizontal type and derivational type feeder, providing a flexible choice for the newly built factory or old factory reformation.
- 1.2 Model TY Series High Pressure Centrifugal Blower also applies to the gas conveying and compulsory ventilation in other fields.
- 1.3 The gas conveyed by the Model TY Series High Pressure Centrifugal Blower should be nontoxic, innocuously, non-corrosive, non-self-igniting, and the temperature should not be higher than 80°C. The powder dust contained in the conveying gas should be no more than 150mg/m³.

Shuangcheng Blower

Model TY Centrifugal Blower Datasheet

Type	speed r/min	NO.	Total pressure Pa	Flux m ³ /h	current A	motor Power kW
TY30-1A (7.3-0.85A)	2950	1	8967	3640	33	30
		2	9203	6980	45	
		3	9105	9500	57	
		4	7938	11400	68	
TY37-1A (TY7.3-1.5)	2950	1	9506	7750	49	37
		2	9085	9636	56	
		3	9007	11365	60	
		4	8615	12409	66	
		5	8330	13010	68★	
		6	8281	13287	69	
		7	8134	13980	71	
TY37-2A	2950	1	9114	7860	50	37
		2	8693	9945	55	
		3	8615	11560	61	
		4	8223	12720	66	
		5	8015	13450	68★	
		6	7889	13792	69	
		7	7742	14335	72	
TY37-3A	2950	1	8350	10020	50	37
		2	8144	11840	55	
		3	8036	12560	60	
		4	7821	13250	64	
		5	7586	13780	67	
		6	7360	14100	68★	
		7	7243	14320	70	
TY37-4A	2950	1	9810	6960	49	37
		2	9536	7690	56	
		3	9114	9580	60	
		4	9036	11290	66	
		5	8654	12300	68★	
		6	8526	12980	69	
		7	8409	13150	71	

Shuangcheng Blower

Type	speed r/min	NO.	Total pressure Pa	Flux m ³ /h	current A	motor Power kW
TY45-1A	2970	1	9908	10251	64	45
		2	9634	11837	68	
		3	9389	12827	73	
		4	9173	13620	75	
		5	9026	14400	78	
		6	8928	14847	80	
		7	8820	15427	82★	
		8	8507	16200	85	
TY45-2A	2970	1	10114	9996	65	45
		2	10065	10348	68	
		3	9957	11425	72	
		4	9830	12450	75	
		5	9693	12954	78	
		6	9644	13622	81	
		7	9477	14484	83★	
		8	9379	15147	86	
TY45-3A (TY7.7-1.5)	2970	1	10310	9254	65	45
		2	10153	10347	70	
		3	9987	11650	75	
		4	9888	12245	77	
		5	9800	12813	80	
		6	9693	13495	82	
		7	9624	13882	83★	
		8	9477	15116	87	
TY45-4A (TY8.4-1.1)	2970	1	11446	9126	65	45
		2	11221	10078	71	
		3	11094	11200	75	
		4	10976	11455	77	
		5	10810	12225	80	
		6	10525	12638	83★	
		7	10114	13270	85	
		8	9908	14200	87	
TY45-5A	2970	1	9154	13130	65	45
		2	8830	14560	70	
		3	8722	15120	74	
		4	8507	15340	76	
		5	8242	15500	78	
		6	8125	15990	81	
		7	7958	16250	83★	
		8	7762	16980	86	

Shuangcheng Blower

Type	speed r/min	NO.	Total pressure Pa	Flux m ³ /h	current A	motor Power kW
TY55-1A	2970	1	10623	11040	77	55
		2	10173	12855	85	
		3	9751	14440	90	
		4	9457	15363	94	
		5	8997	16712	98	
		6	8683	17405	101	
		7	8477	17860	102★	
		8	8056	18530	104	
TY55-2A	2970	1	10192	11920	76	55
		2	10035	12490	78	
		3	9908	13585	84	
		4	9800	14760	90	
		5	9732	15864	97	
		6	9585	16905	102★	
		7	9379	17840	103	
		8	9183	18200	105	
TY55-3A (TY7.7-1.8)	2970	1	11427	9815	77	55
		2	11329	11175	83	
		3	11133	11780	86	
		4	10937	13490	93	
		5	10535	14995	99	
		6	10231	15810	102★	
		7	10182	15917	104	
		8	9477	16795	107	
TY55-4A (TY8-1.8)	2970	1	11329	9619	77	55
		2	11251	10672	81	
		3	11094	12080	88	
		4	10917	13340	93	
		5	10810	13734	99	
		6	10594	14854	102★	
		7	10369	15670	103	
		8	10339	16118	106	

Shuangcheng Blower

Type	speed r/min	NO.	Total pressure Pa	Flux m ³ /h	current A	motor Power kW
TY55-5A (TY8.4-1.5)	2970	1	12191	7607	70	55
		2	12152	8860	80	
		3	12054	9822	88	
		4	11956	10685	92	
		5	11789	11490	96	
		6	11633	12393	101	
		7	11495	12955	102★	
		8	11319	13750	108	
TY55-6A	2970	1	9820	12450	77	55
		2	9487	14500	86	
		3	8928	15720	90	
		4	8546	16530	95	
		5	8281	17020	97	
		6	7968	17880	100	
		7	7860	18260	102★	
		8	7653	18980	107	
TY55-7A	2970	1	11290	8470	66	55
		2	11025	9326	72	
		3	10819	11340	82	
		4	10456	13612	91	
		5	10104	15312	96	
		6	9967	16153	98	
		7	9761	16952	102★	
		8	9457	17609	105	
TY55-8A	2970	1	10310	11240	77	55
		2	9682	13055	85	
		3	9261	14640	90	
		4	8967	15563	94	
		5	8507	16912	98	
		6	8193	17605	101	
		7	7987	18060	102★	
		8	7566	18730	104	

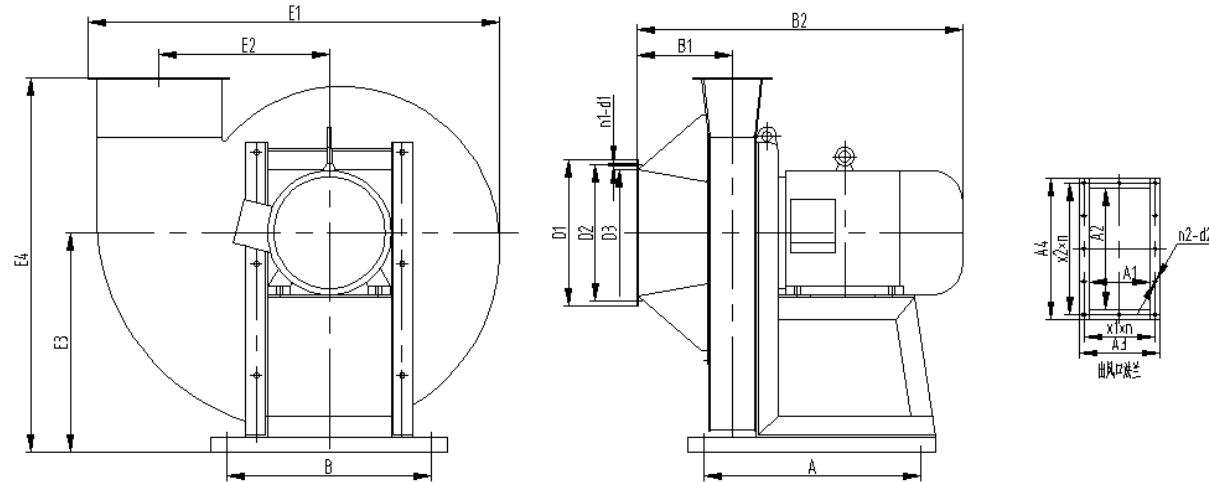
Shuangcheng Blower

Type	speed r/min	NO.	Total pressure Pa	Flux m ³ /h	current A	motor Power kW
TY75-1A (TY8.4-2.4)	2970	1	11525	14619	108	75
		2	11054	17567	115	
		3	10702	18422	120	
		4	10349	19709	125	
		5	9976	21047	130	
		6	9633	22170	135	
		7	9212	23215	140★	
		8	8751	24220	146	
TY75-2A (TY8.4-2)	2970	1	12152	13892	107	75
		2	11760	15657	116	
		3	11691	16007	119	
		4	11417	17017	125	
		5	11211	17764	130	
		6	11005	18686	135	
		7	10790	19560	140★	
		8	10359	20300	146	
TY75-3A	2970	1	12564	12548	111	75
		2	12456	13600	116	
		3	12358	14440	120	
		4	12299	14844	123	
		5	12132	15100	125	
		6	12034	15238	130	
		7	11770	17522	140★	
		8	11642	17632	143	
TY75-4A	2970	1	13573	12044	110	75
		2	13397	12485	115	
		3	13269	12695	120	
		4	13103	13125	125	
		5	13034	13713	130	
		6	12975	14100	132	
		7	12475	15890	140★	
		8	12211	16580	146	

Shuangcheng Blower

Type	speed r/min	NO.	Total pressure Pa	Flux m ³ /h	current A	motor Power kW
TY90-1A (TY8.8-2.2)	2970	1	10368	20405	125	90
		2	10221	21512	133	
		3	9996	22790	140	
		4	9771	24240	152	
		5	9584	25480	160	
		6	9506	26802	167★	
		7	9320	27587	170	
		8	9202	28682	172	
TY90-2A (TY8.8-2)	2970	1	13083	15110	131	90
		2	12564	16821	140	
		3	12201	18060	145	
		4	11966	18910	151	
		5	11515	20506	160	
		6	11172	21450	167★	
		7	11005	22050	171	
		8	10594	23205	174	
TY90-3A	2970	1	13671	12425	123	90
		2	13544	14832	134	
		3	13426	16320	143	
		4	13279	17240	150	
		5	13112	18115	154	
		6	13014	18843	162	
		7	12897	19781	167★	
		8	12887	20415	172	
TY90-4A	2970	1	9898	22400	125	90
		2	9702	23620	133	
		3	9506	24800	140	
		4	9261	26540	152	
		5	9085	27450	160	
		6	8820	28020	167★	
		7	8340	28680	170	
		8	8193	29100	172	
TY110-1A	2970	1	11760	19100	152	110
		2	11417	20800	162	
		3	11152	21500	167	
		4	10702	23450	174	
		5	10339	25390	183	
		6	9898	26540	192	
		7	9751	27900	200★	
		8	9408	28400	202	
TY110-2A	2970	1	13132	18200	154	110
		2	13054	18900	162	
		3	12907	19850	167	
		4	12838	20600	172	
		5	12593	21200	181	
		6	11858	21780	191	
		7	11515	22100	200★	
		8	10976	22940	202	

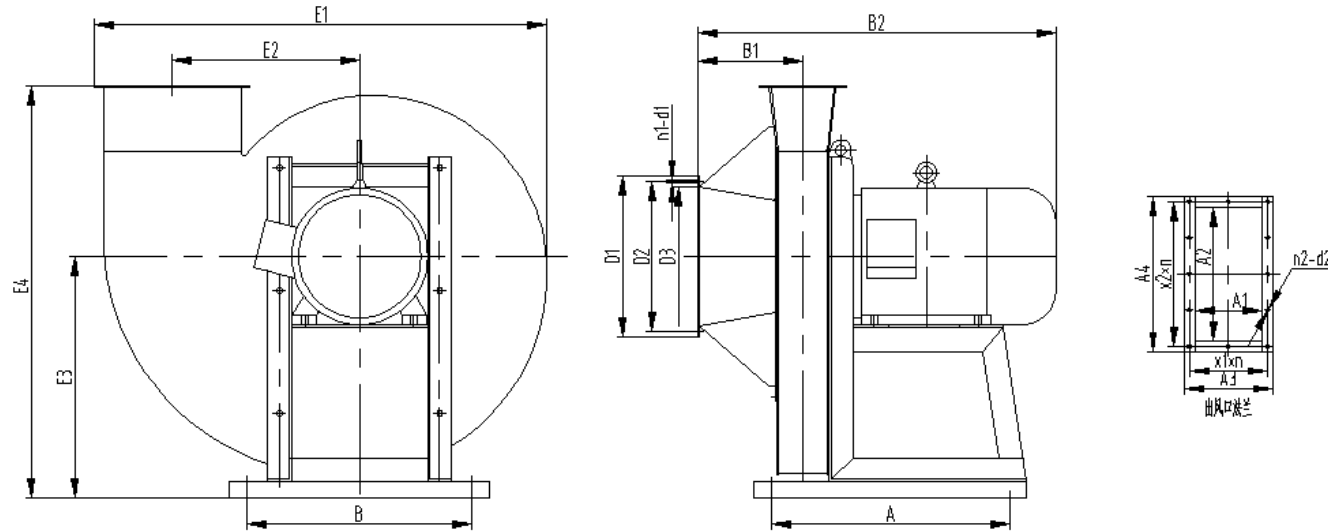
Shuangcheng Blower



Shape and Installation Size Chart of Model TY A Centrifugal Blower

No.	Inlet flange					Outlet flange								Shape Size						Installation Size			
	D1	D2	D3	Coupling bolt		A1	A2	A3	A4	Coupling bolt				E1	E2	E3	E4	B1	B2	A	B	Anchor bolt hole	
				d1	n1					d2	n1	x1xn	x2xn									Φ	quantity
TY30-1	479	440	393	10	8	292	330	372	410	12	14	110×3	92.5×4	1209	477	670	1170	296	1107	740	470	18	4
TY37-1	476	440	406	10	12	179	506	249	576	10	12	106×2	134.5×4	1450	567	828	1348	326	1076	720	750	18	4
TY37-2	476	440	406	10	12	179	506	249	576	10	12	106×2	134.5×4	1450	567	828	1348	326	1076	720	750	18	4
TY37-3	476	440	406	10	12	179	506	249	576	10	12	106×2	134.5×4	1450	567	828	1348	326	1076	720	750	18	4
TY37-4	476	440	406	10	12	179	506	249	576	10	12	106×2	134.5×4	1450	567	828	1348	326	1076	720	750	18	4
TY45-1	466	440	406	10	12	189	506	259	576	10	12	111×2	134.5×4	1452	567	833	1353	326	1121	760	740	18	4
TY45-2	466	440	406	10	12	189	506	259	576	10	12	111×2	134.5×4	1452	567	833	1353	326	1121	760	740	18	4
TY45-3	466	440	406	10	12	189	506	259	576	10	12	111×2	134.5×4	1452	567	833	1353	326	1121	760	740	18	4
TY45-4	444	416	384	10	12	194	398	264	468	10	14	78×3	108×4	1453	619	763	1353	313	1109	760	740	18	4
TY45-5	466	440	406	10	12	189	506	259	576	10	12	111×2	134.5×4	1452	567	833	1353	326	1121	760	740	18	4

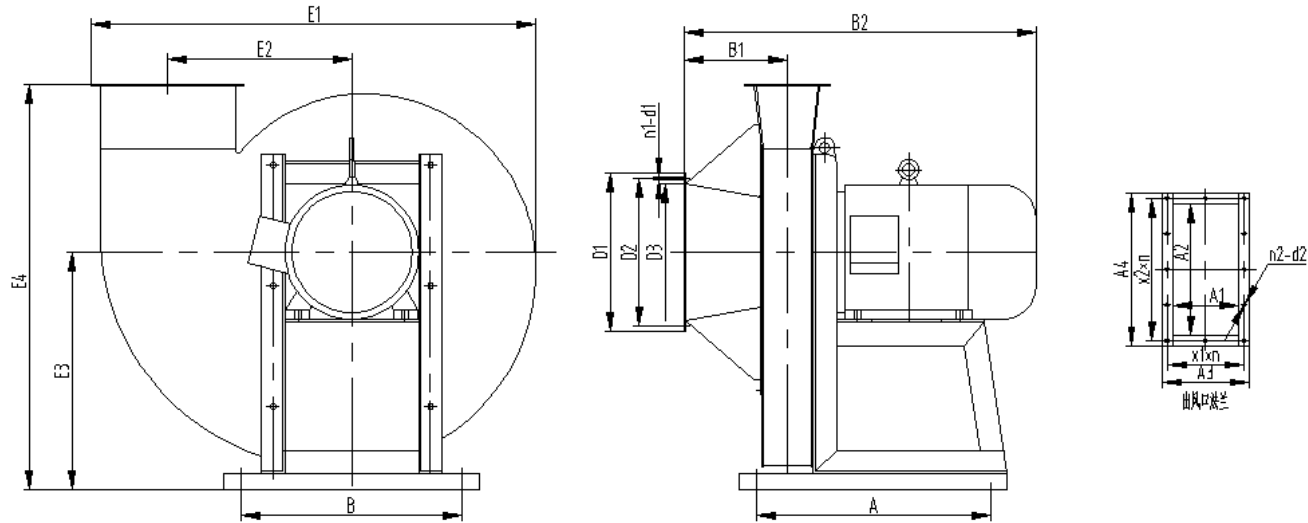
Shuangcheng Blower



Shape and Installation Size Chart of Model TY A Centrifugal Blower

No.	Inlet flange					Outlet flange								Shape Size						Installation Size			
	D1	D2	D3	Coupling bolt		A1	A2	A3	A4	Coupling bolt				E1	E2	E3	E4	B1	B2	A	B	Anchor hole	
				d1	n1					d2	n2	x1×n	x2×n									Φ	quantity
TY55-1	510	480	450	10	12	220	488	290	558	12	12	125×2	129×4	1506	599	873	1513	327	1224	810	900	18	4
TY55-2	510	480	450	10	12	220	488	290	558	12	12	125×2	129×4	1506	599	873	1513	327	1224	810	900	18	4
TY55-3	510	480	450	10	12	220	488	290	558	12	12	125×2	129×4	1503	599	880	1520	327	1211	880	900	18	4
TY55-4	510	480	450	10	12	220	488	290	558	12	12	125×2	129×4	1506	599	873	1513	327	1224	810	900	18	4
TY55-5	470	440	406	10	12	190	500	254	564	12	14	111×2	106.4×5	1605	640	940	1640	293	1156	840	1100	18	4
TY55-6	470	440	406	10	12	190	506	259	576	12	12	111×2	134.5×4	1455	572	833	1353	326	1111	760	900	18	4
TY55-7	510	480	450	10	12	220	488	290	558	12	12	125×2	129×4	1506	599	873	1513	327	1224	810	900	18	4
TY55-8	510	480	450	10	12	220	488	290	558	12	12	125×2	129×4	1506	599	873	1513	327	1224	810	900	18	4

Shuangcheng Blower



Shape and Installation Size Chart of Model TY A Centrifugal Blower

No.	Inlet flange					Outlet flange								Shape Size						Installation Size			
	D1	D2	D3	连接螺栓		A1	A2	A3	A4	Coupling bolt				E1	E2	E3	E4	B1	B2	A	B	Anchor bolt hole	
				d1	n1					d2	n2	x1xn	x2xn									Φ	quantity
TY75-1	508	480	448	12	12	244	508	314	578	12	14	140×2	108×5	1609	636	940	1640	311	1273	910	980	18	4
TY75-2	508	480	448	12	12	244	508	314	578	12	14	140×2	108×5	1609	636	940	1640	311	1273	910	980	18	4
TY75-3	508	480	448	12	12	244	508	314	578	12	14	140×2	108×5	1609	636	940	1640	311	1273	910	980	18	4
TY75-4	535	500	456	12	12	239	388	340	489	12	18	73×4	88×5	1358	528	730	1298	240	1230	970	1000	18	4
TY90-1	512	480	442	12	12	230	500	294	564	12	14	131×2	106.4×5	1605	640	1640	310	940	1343.5	960	1100	18	4
TY90-2	512	480	442	12	12	230	500	294	564	12	14	131×2	106.4×5	1605	640	1640	310	940	1343.5	960	1100	18	4
TY90-3	512	480	442	12	12	230	500	294	564	12	14	131×2	106.4×5	1605	640	1640	310	940	1343.5	960	1100	18	4
TY90-4	512	480	442	12	12	230	500	294	564	12	14	131×2	106.4×5	1605	640	1640	310	940	1343.5	960	1100	18	4
TY110-1	512	480	442	12	12	230	500	294	564	12	14	131×2	106.4×5	1605	640	1640	310	940	1450	1060	1060	18	4
TY110-2	512	480	442	12	12	230	500	294	564	12	14	131×2	106.4×5	1605	640	1640	310	940	1450	1060	1060	18	4